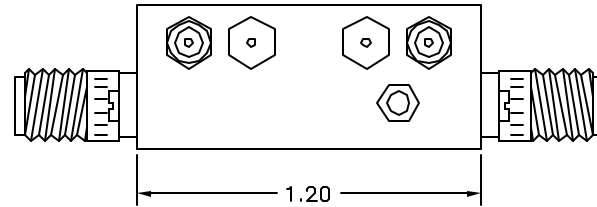


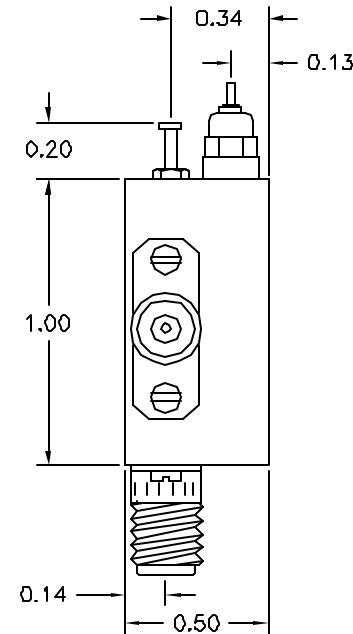
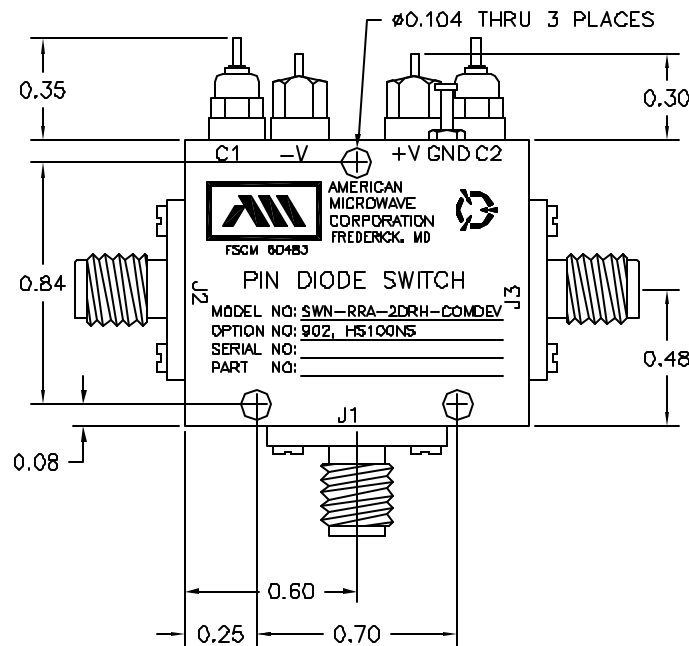
DESCRIPTION

AMC MODEL SWN-RA-2DRH-COMDEV OPTIONS: 902, HS100NS IS A REFLECTIVE SINGLE POLE TWO THROW SWITCH MODULE DESIGNED FOR HIGH POWER APPLICATIONS AND OPTIMIZED FOR THE FREQUENCY OF 9.2 GHz.

REVISIONS				
ZONE	REV.	DESCRIPTION	DATE	APPROVED
	-	ORIGINAL RELEASE JOB# 603045XN	4/19/06	



MECHANICAL OUTLINE



AMERICAN MICROWAVE CORPORATION

7311-G GROVE ROAD
 FREDERICK, MARYLAND 21704 USA
 TEL: 301-662-4700 FAX: 301-662-4938
 WEBSITE: www.americanmicrowavecorp.com
 E-MAIL: sales@americanmicrowavecorp.com
 ISO 9001:2000 CERTIFIED



ALL DIMENSIONS ARE IN INCHES
 TOLERANCES:
 X.XX ±0.020
 X.XXX ±0.010

APPROVALS		DATE	TITLE		
DRAWN	<i>FDS</i>	4/19/06	MECHANICAL OUTLINE SWN-RA-2DRH-COMDEV OPTION: 902, HS100NS 9.2 GHz, SINGLE POLE TWO THROW SWITCH		
CHECKED			SIZE	FSCM NO.	DWG NO.
ISSUED			A	60483	100-7639
			SCALE	N:S	SHEET 2 OF 4

DESCRIPTION

AMC MODEL SWN-RA-2DRH-COMDEV OPTIONS: 902, HS100NS IS A REFLECTIVE SINGLE POLE TWO THROW SWITCH MODULE DESIGNED FOR HIGH POWER APPLICATIONS AND OPTIMIZED FOR THE FREQUENCY OF 9.2 GHz.

SPECIFICATIONS

- FREQUENCY RANGE: 9.2 GHz
- INSERTION LOSS: 2.0 dB MAXIMUM
- ISOLATION: 50 dB MINIMUM
- VSWR: 2.0:1 MAXIMUM
- RISE TIME: 100 nSec MAXIMUM
- FALL TIME: 100 nSec MAXIMUM
- HARMONIC LEVELS: -30 dBc UNDER MAXIMUM INPUT CONDITIONS
- SPURIOUS OUTPUT: -115 dBc MAXIMUM, UP TO 200 MHz
AWAY FROM 10 GHz AT AN INPUT POWER
LEVEL OF +29.5 dBm
- THIRD ORDER INTERCEPT: +42 dBm MINIMUM
- POWER SUPPLY: +5V ±5% @ 160 mA MAXIMUM
+12V ±5% @ 50 mA MAXIMUM
- CONNECTORS:
RF: SMA FEMALE
CONTROL: SOLDER PIN
- RF INPUT POWER: +40 dBm CW MAXIMUM
- SIZE: 1.20" (L) x 1.00" (W) x 0.50" (H)
- WEIGHT: 1.5 OUNCE TYPICAL

OPTIONS:

- 902: OPTIMIZED FOR 9.2 GHz
- HS100NS: 100 nSec SWITCHING SPEED

CONTROL		INPUTS		STATE
C1	C2	C1	C2	
0	0	0	0	NOT VALID
0	1	0	1	*J1-J2 ON, J1-J3 OFF
1	0	1	0	*J1-J2 OFF, J1-J3 ON
1	1	1	1	BOTH OFF

*J1-J2 CORRESPONDS TO RF1, J1-J3 CORRESPONDS TO RF2

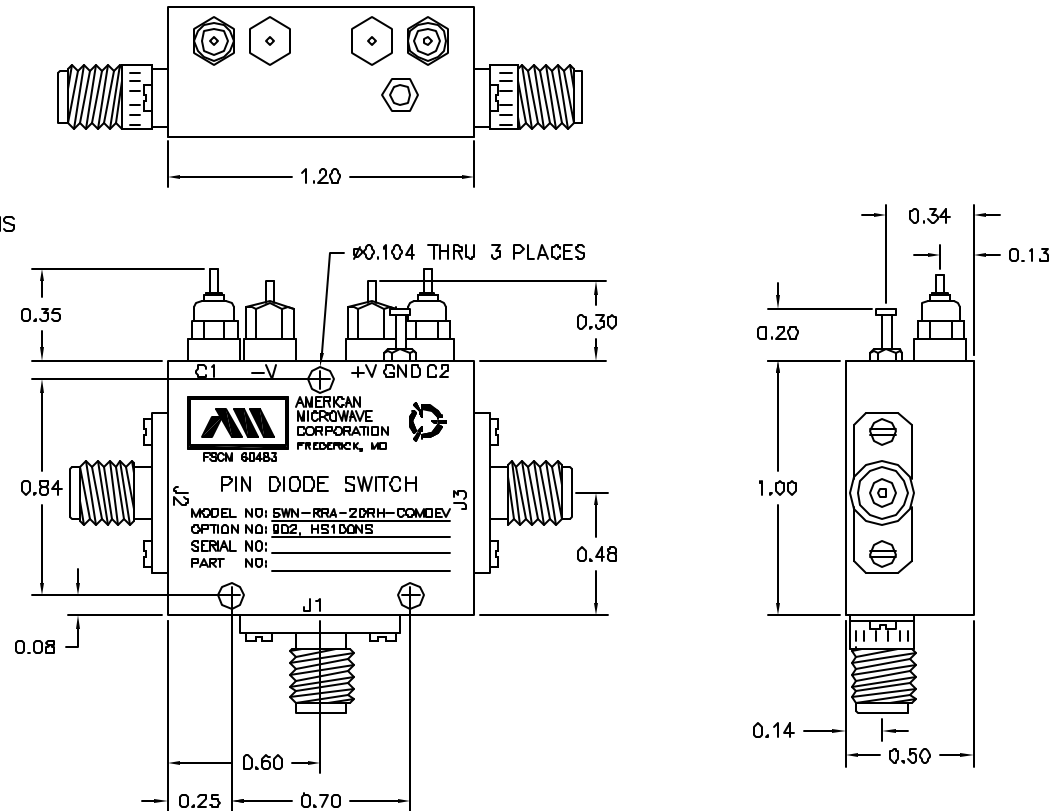
ENVIRONMENTAL RATINGS:

- TEMPERATURE: -55°C TO +85°C (OPERATING)
-65°C TO +125°C (STORAGE)
- HUMIDITY: MIL-STD-202F, METHOD 103B COND. B
- SHOCK: MIL-STD-202F, METHOD 213B COND. B
- VIBRATION: MIL-STD-202F, METHOD 204D COND. B
- ALTITUDE: MIL-STD-202F, METHOD 105C COND. B
- TEMPERATURE CYCLE: MIL-STD-202F, METHOD 107D COND. A

NOTE: SPECIFICATIONS WILL VARY OVER OPERATING TEMPERATURE
NOTE: THE ABOVE SPECIFICATIONS ARE SUBJECT TO CHANGE OR REVISION

ALL DIMENSIONS ARE IN INCHES
TOLERANCES:
XXX ±0.020
XXX ±0.010

REVISIONS				
ZONE	REV.	DESCRIPTION	DATE	APPROVED
	-	ORIGINAL RELEASE JOB# 603045XN	4/19/06	



AMERICAN MICROWAVE CORPORATION

7311-G GROVE ROAD
FREDERICK, MARYLAND 21704 USA
TEL: 301-662-4700 FAX: 301-662-4938
WEBSITE: www.americanmicrowavcorp.com
E-MAIL: sales@americanmicrowavcorp.com
ISO 9001:2000 CERTIFIED



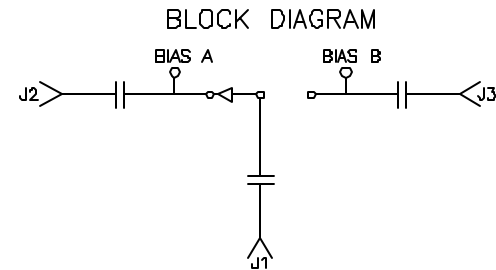
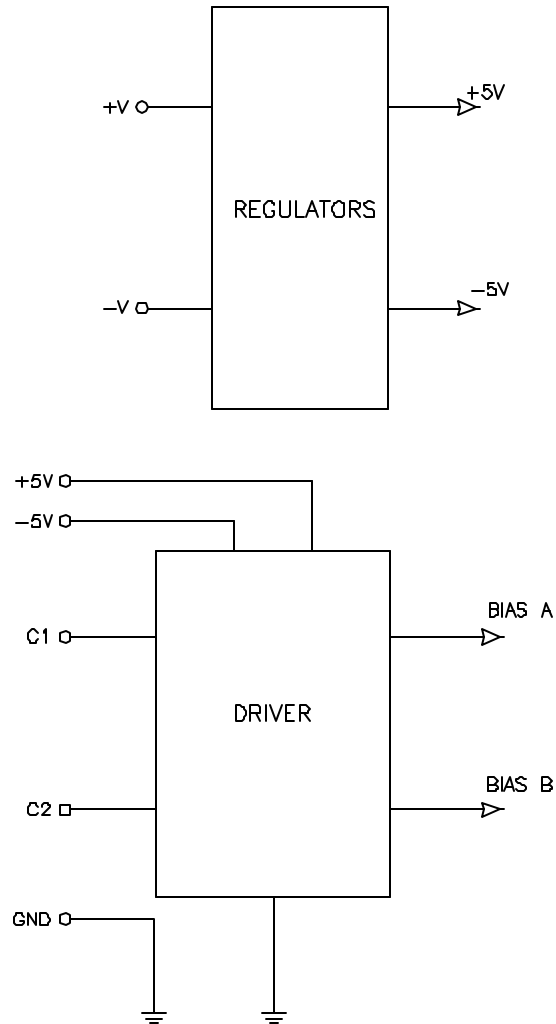
APPROVALS		DATE	TITLE		
DRAWN	<i>FDS</i>	4/19/06	PRODUCT FEATURE SWN-RA-2DRH-COMDEV OPTION: 902, HS100NS 9.2 GHz, SINGLE POLE TWO THROW SWITCH		
CHECKED			SIZE	FSCM NO.	DWG NO.
ISSUED			A	60483	100-7639
			SCALE	N:S	SHEET 1 OF 4

DESCRIPTION

AMC MODEL SWN-RRA-2DRH-COMDEV OPTIONS: 902, HS100NS IS A REFLECTIVE SINGLE POLE TWO THROW SWITCH MODULE DESIGNED FOR HIGH POWER APPLICATIONS AND OPTIMIZED FOR THE FREQUENCY OF 9.2 GHz.

REVISIONS				
ZONE	REV.	DESCRIPTION	DATE	APPROVED
	-	ORIGINAL RELEASE JOB# 603045XN	4/19/06	

FUNCTIONAL BLOCK DIAGRAM



AMERICAN MICROWAVE CORPORATION

7311-G GROVE ROAD
 FREDERICK, MARYLAND 21704 USA
 TEL: 301-662-4700 FAX: 301-662-4938
 WEBSITE: www.americanmicrowavecorp.com
 E-MAIL: sales@americanmicrowavecorp.com
 ISO 9001:2000 CERTIFIED



APPROVALS		DATE	TITLE		
DRAWN	<i>FDF</i>	4/19/06	FUNCTIONAL BLOCK DIAGRAM SWN-RRA-2DRH-COMDEV OPTION: 902, HS100NS 9.2 GHz, SINGLE POLE TWO THROW SWITCH		
CHECKED			SIZE	FSCHM NO.	DWG NO.
ISSUED			A	60483	100-7639
			SCALE	N:S	SHEET 3 OF 4